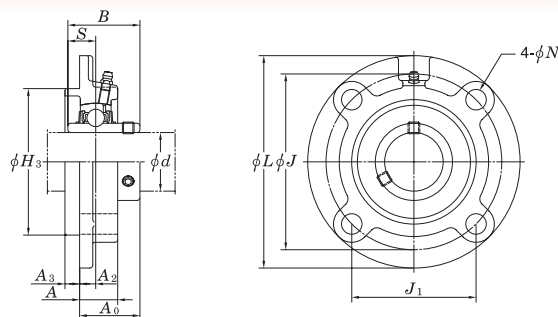


# Pillow Block Units

**KYK**

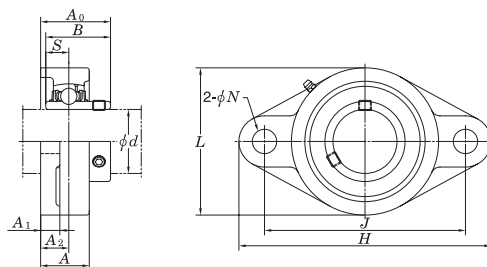
## UCFC 200



d 12~90mm

Shaft Dia mm	Unit No.	Boundary dimensions mm												Bolt size No.	Insert No.	Housing No.	Mass kg (approx.)
		H	J	J <sub>1</sub>	A <sub>2</sub>	N	A <sub>3</sub>	A <sub>1</sub>	A	H <sub>3</sub>	A <sub>0</sub>	B	S				
12	UCFC 201	100	78	55.1	10	12	5	7	20.5	62	28.3	31.0	12.7	M 10	UC 201	FC 204	0.89
15	UCFC 202	100	78	55.1	10	12	5	7	20.5	62	28.3	31.0	12.7	M 10	UC 202	FC 204	0.87
17	UCFC 203	100	78	55.1	10	12	5	7	20.5	62	28.3	31.0	12.7	M 10	UC 203	FC 204	0.86
20	UCFC 204	100	78	55.1	10	12	5	7	20.5	62	28.3	31.0	12.7	M 10	UC 204	FC 204	0.84
25	UCFC 205	115	90	63.6	10	12	6	7	21.0	70	29.8	34.1	14.3	M 10	UC 205	FC 205	0.97
30	UCFC 206	125	100	70.7	10	12	8	8	23.0	80	32.2	38.1	15.9	M 10	UC 206	FC 206	1.18
35	UCFC 207	135	110	77.8	11	14	8	9	26.0	90	36.4	42.9	17.5	M 12	UC 207	FC 207	1.55
40	UCFC 208	145	120	84.8	11	14	10	9	26.0	100	41.2	49.2	19.0	M 12	UC 208	FC 208	1.85
45	UCFC 209	160	132	93.3	10	16	12	14	26.0	105	40.2	49.2	19.0	M 14	UC 209	FC 209	2.42
50	UCFC 210	165	138	97.6	10	16	12	14	28.0	110	42.6	51.6	19.0	M 14	UC 210	FC 210	2.71
55	UCFC 211	185	150	106.1	13	19	12	15	31.0	125	46.4	55.6	22.2	M 16	UC 211	FC 211	3.90
60	UCFC 212	195	160	113.1	17	19	12	15	36.0	135	56.7	65.1	25.4	M 16	UC 212	FC212	4.55
65	UCFC 213	205	170	120.2	16	19	14	15	36.0	145	55.7	65.1	25.4	M 16	UC 213	FC 213	5.11
70	UCFC 214	215	177	125.1	17	19	14	18	40.0	150	61.4	74.6	30.2	M 16	UC 214	FC 214	6.40
75	UCFC 215	220	184	130.1	18	19	16	18	40.0	160	62.5	77.8	33.3	M 16	UC 215	FC 215	6.92
80	UCFC 216	240	200	141.4	18	23	16	18	42.0	170	67.3	82.6	33.3	M 20	UC 216	FC 216	8.60
85	UCFC 217	250	208	147.1	18	23	18	20	45.0	180	69.6	85.7	34.1	M 20	UC 217	FC 217	9.83
90	UCFC 218	265	220	155.5	22	23	18	20	50.0	190	78.3	96.0	39.7	M 20	UC 218	FC 218	12.24

## UCFL 200



d 12~90mm

Shaft Dia mm	Unit No.	Boundary dimensions mm										Bolt size mm	Insert No.	Housing No.	Mass kg (approx.)
		H	J	A <sub>2</sub>	A <sub>1</sub>	A	N	L	A <sub>0</sub>	B	S				
12	UCFL 201	113	90	15	12	25.5	12	60	33.3	31.0	12.7	M 10	UC 201	FL 204	0.47
15	UCFL 202	113	90	15	12	25.5	12	60	33.3	31.0	12.7	M 10	UC 202	FL 204	0.45
17	UCFL 203	113	90	15	12	25.5	12	60	33.3	31.0	12.7	M 10	UC 203	FL 204	0.44
20	UCFL 204	113	90	15	12	25.5	12	60	33.3	31.0	12.7	M 10	UC 204	FL 204	0.42
25	UCFL 205	130	99	16	14	27.0	16	68	35.8	34.1	14.3	M 14	UC 205	FL 205	0.59
30	UCFL 206	148	117	18	14	31.0	16	80	40.2	38.1	15.9	M 14	UC 206	FL 206	0.90
35	UCFL 207	161	130	19	16	34.0	16	90	44.4	42.9	17.5	M 14	UC 207	FL 207	1.20
40	UCFL 208	175	144	21	16	36.0	16	100	51.2	49.2	19.0	M 14	UC 208	FL 208	1.51
45	UCFL 209	188	148	22	18	38.0	19	108	52.2	49.2	19.0	M 16	UC 209	FL 209	1.90
50	UCFL 210	197	157	22	18	40.0	19	115	54.6	51.6	19.0	M 16	UC 210	FL 210	2.20
55	UCFL 211	224	184	25	20	43.0	19	130	58.4	55.6	22.2	M 16	UC 211	FL 211	3.20
60	UCFL 212	250	202	29	20	48.0	23	140	68.7	65.1	25.4	M 20	UC 212	FL 212	4.10
65	UCFL 213	258	210	30	24	50.0	23	155	69.7	65.1	25.4	M 20	UC 213	FL 213	5.10
70	UCFL 214	265	216	31	24	54.0	23	160	75.4	74.6	30.2	M 20	UC 214	FL 214	6.00
75	UCFL 215	275	225	34	24	56.0	23	165	78.5	77.8	33.3	M 20	UC 215	FL 215	6.50
80	UCFL 216	290	233	34	24	58.0	25	180	83.3	82.6	33.3	M 22	UC 216	FL 216	8.00
85	UCFL 217	305	248	36	26	63.0	25	190	87.6	85.7	34.1	M 22	UC 217	FL 217	9.50
90	UCFL 218	320	265	40	26	68.0	25	205	96.3	96.0	39.7	M 22	UC 218	FL 218	11.90